

Steelite Specials Dimension Book

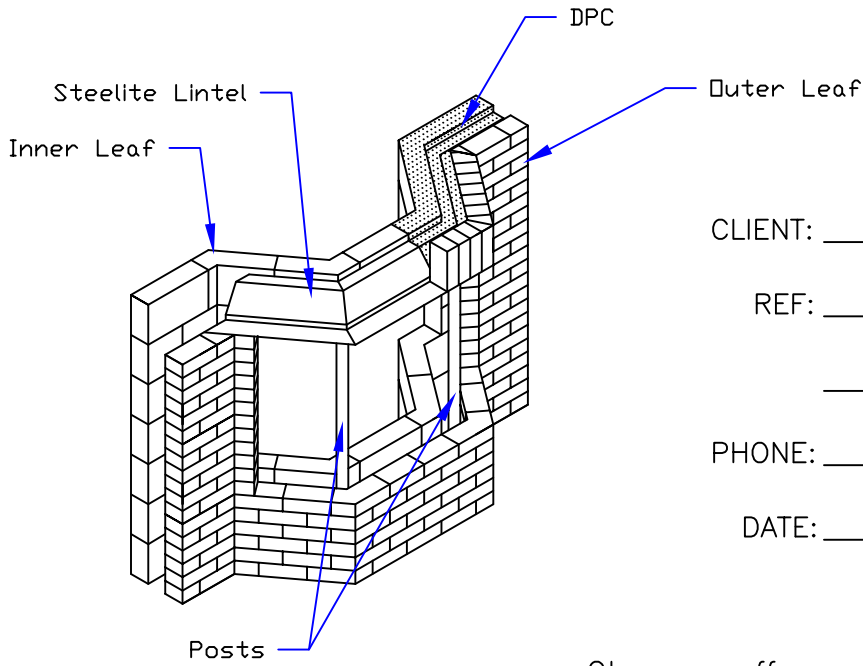
CONTENTS

Splayed Bay Lintel	Page	1
Square Bay Lintel	Page	2
Corner Lintel	Page	3
Bow Lintel	Page	4
Arch Lintel	Page	5
Segmented Arch Lintel	Page	6
Parabolic Arch Lintel	Page	7
Venetian Arch Lintel	Page	8
Gothic Arch Lintel	Page	9
Elliptical Arch Lintel	Page	10
Porthole Lintel	Page	11
Apex Lintel	Page	12
Square Conservatory Lintel	Page	13
Splayed Conservatory Lintel	Page	14
Conservatory Lintel Detail	Page	15
Post Detail	Page	16

SPLAYED BAY LINTEL



STEELITE SPECIALS



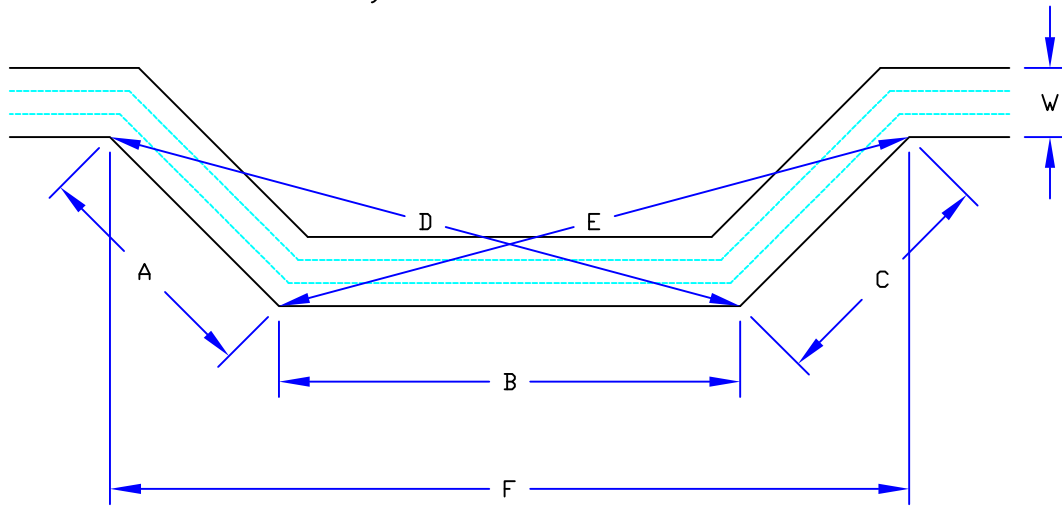
CLIENT: _____

REF: _____

PHONE: _____

DATE: _____

Qty ____ off



A _____ B _____ C _____ D _____

E _____ F _____ Width _____

Qty ____ off SUPPORT POSTS HEIGHT _____

EXTERNAL LEAF _____ (Brick/Fairface or Block Rendered)

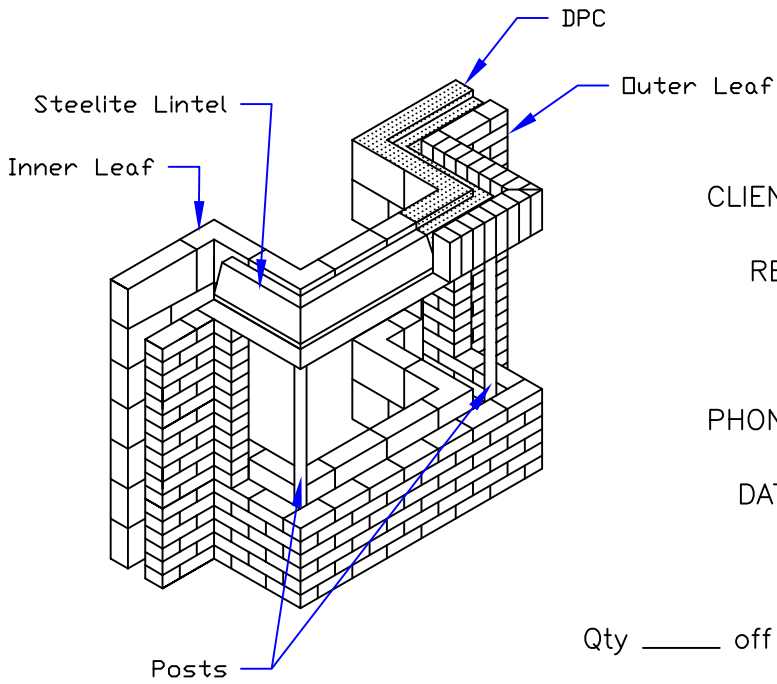
NOTE: All measurements should be taken from the face of the outer leaf.
All measurements should be given in millimetres.

SIGNED BY: _____ DATE: _____

SQUARE BAY LINTEL



STEELITE SPECIALS



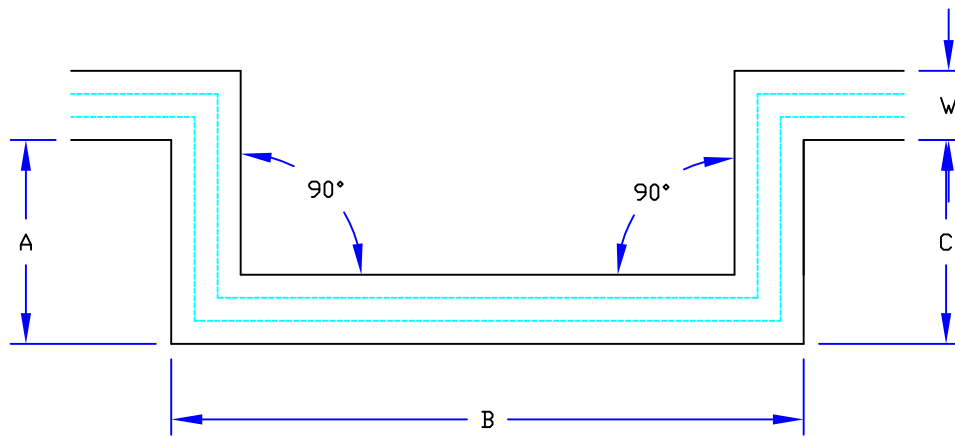
CLIENT: _____

REF: _____

PHONE: _____

DATE: _____

Qty _____ off



A _____ B _____ C _____ Width _____

Qty _____ off SUPPORT POSTS

HEIGHT _____

EXTERNAL LEAF _____ (Brick/Fairface or Block Rendered)

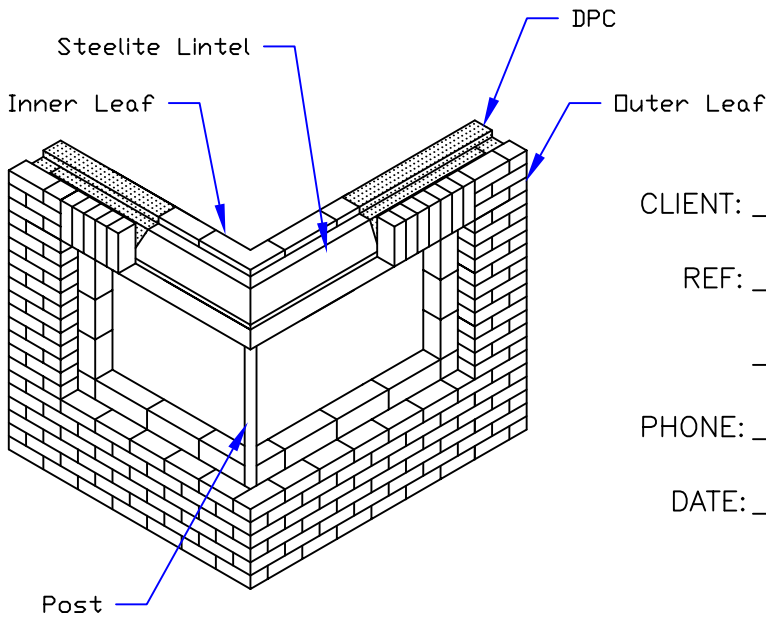
NOTE: All measurements should be taken from the face of the outer leaf.
All measurements should be given in millimetres.

SIGNED BY: _____ DATE: _____

CORNER LINTEL



STEELITE SPECIALS

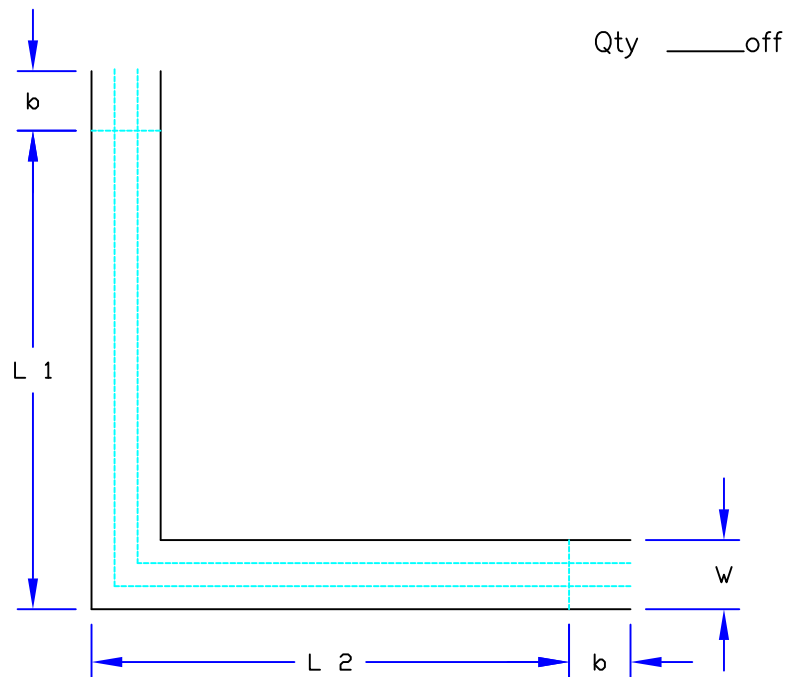


CLIENT: _____

REF: _____

PHONE: _____

DATE: _____



L 1 _____ L 2 _____ Width _____

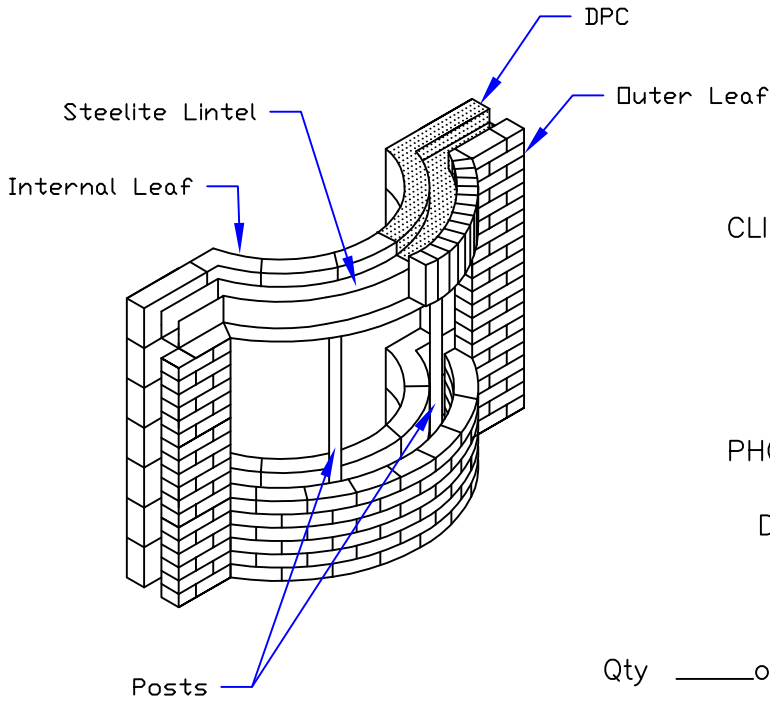
Qty ____ off SUPPORT POSTS HEIGHT _____

EXTERNAL LEAF _____ (Brick/Fairface or Block Rendered)

NOTE: All measurements should be taken from the face of the outer leaf.
All measurements should be given in millimetres.

SIGNED BY: _____ DATE: _____

BOW LINTEL



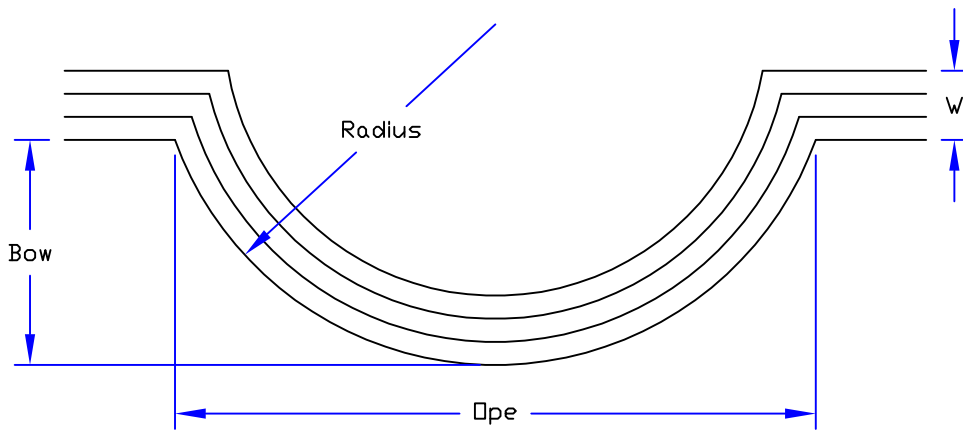
CLIENT: _____

REF: _____

PHONE: _____

DATE: _____

Qty _____ off



Bow _____ Ope _____ Radius _____ Width _____

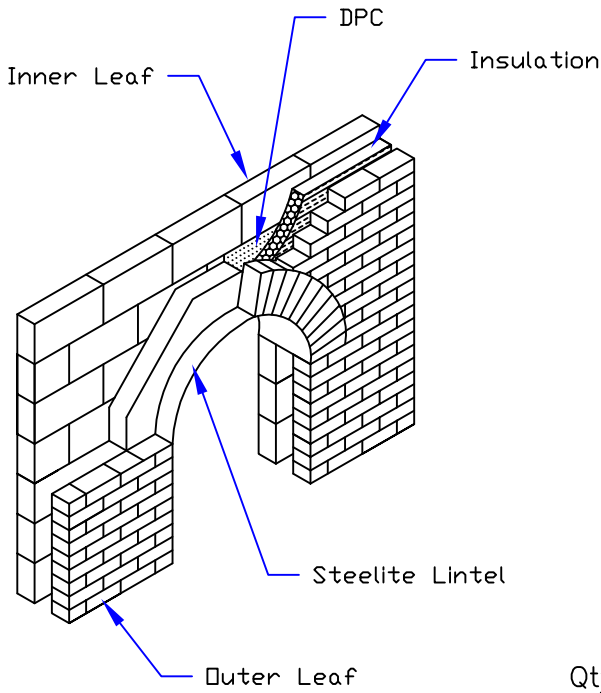
Qty _____ off SUPPORT POSTS HEIGHT _____

EXTERNAL LEAF _____ (Brick/Fairface or Block Rendered)

NOTE: All measurements should be taken from the face of the outer leaf.
All measurements should be given in millimetres.

SIGNED BY: _____ DATE: _____

ARCH LINTEL



CLIENT: _____

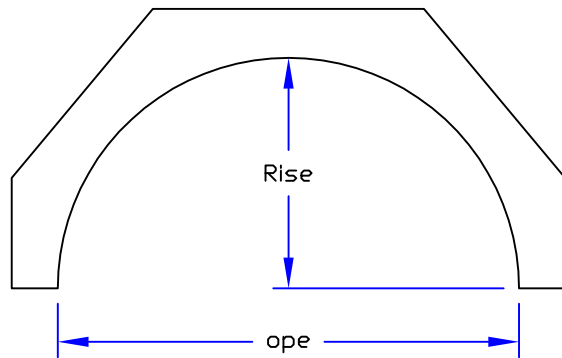
REF: _____

PHONE: _____

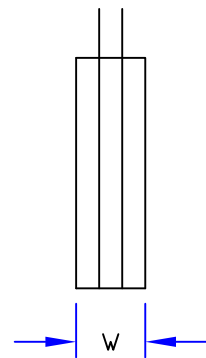
DATE: _____

Qty _____ off

ELEVATION



END VIEW



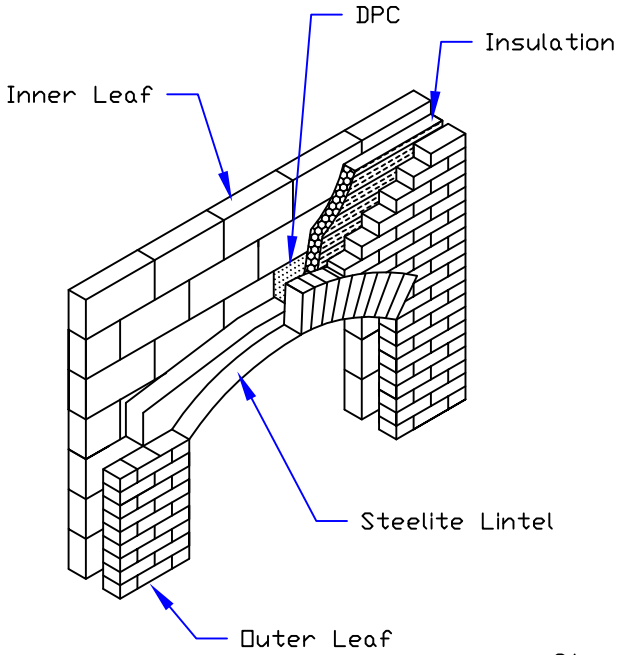
Ope _____ Rise _____ Width _____

EXTERNAL LEAF _____ (Brick/Fairface or Block Rendered)

NOTE: All measurements should be taken from the face of the outer leaf.
All measurements should be given in millimetres.

SIGNED BY: _____ DATE: _____

SEGMENTED ARCH LINTEL



CLIENT: _____

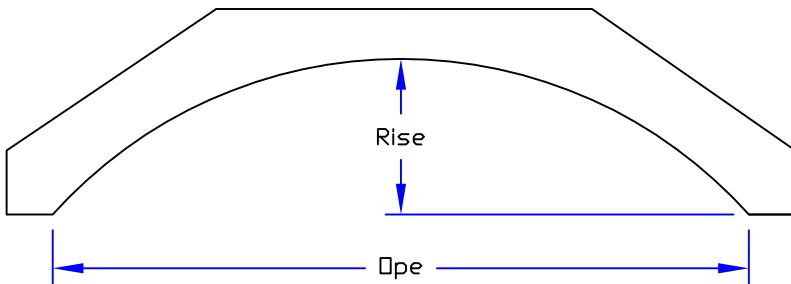
REF: _____

PHONE: _____

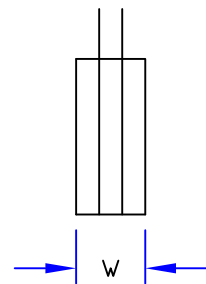
DATE: _____

Qty _____ off

ELEVATION



END VIEW



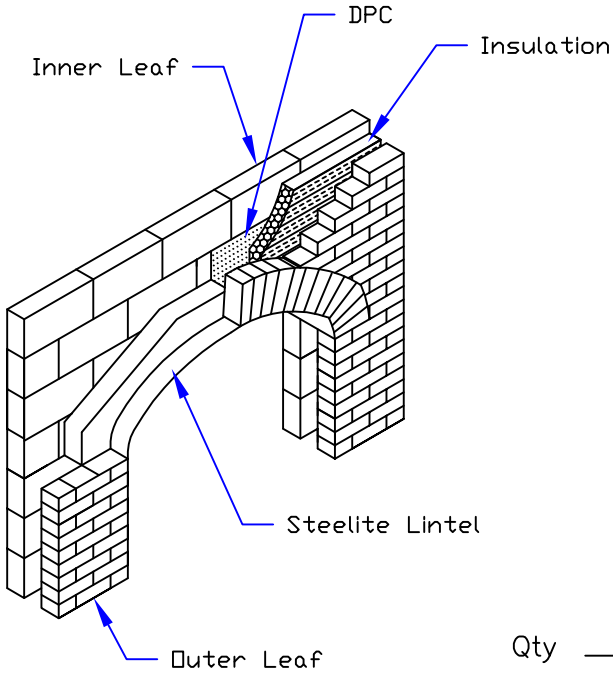
Ope _____ Rise _____ Width _____

EXTERNAL LEAF _____ (Brick/Fairface or Block Rendered)

NOTE: All measurements should be taken from the face of the outer leaf.
All measurements should be given in millimetres.

SIGNED BY: _____ DATE: _____

PARABOLIC ARCH LINTEL



CLIENT: _____

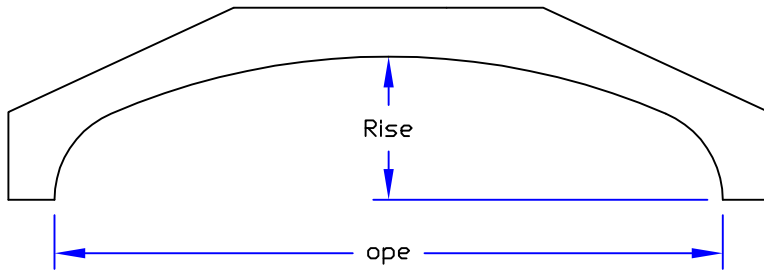
REF: _____

PHONE: _____

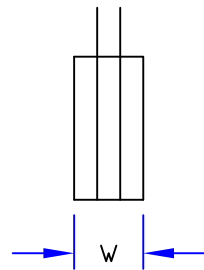
DATE: _____

Qty _____ off

ELEVATION



END VIEW



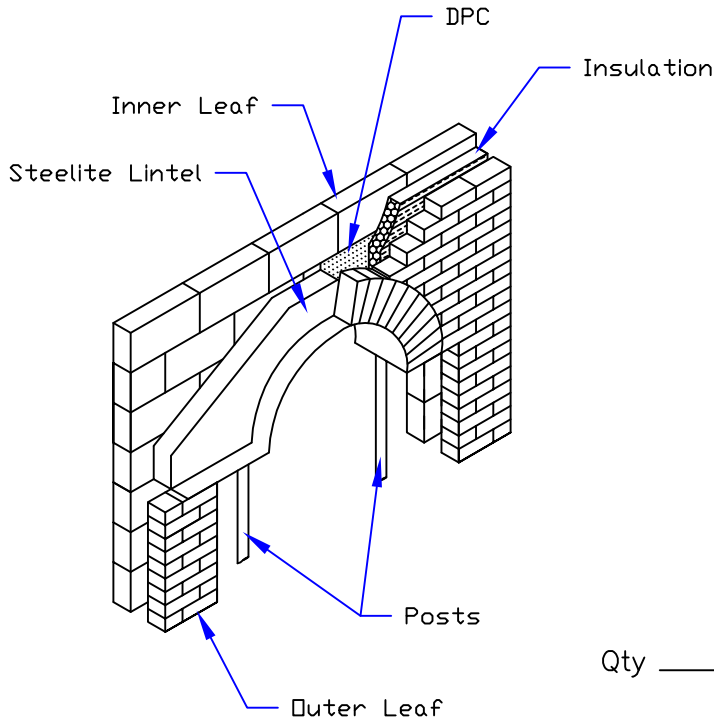
Ope _____ Rise _____ Width _____

EXTERNAL LEAF _____ (Brick/Fairface or Block Rendered)

NOTE: All measurements should be taken from the face of the outer leaf.
All measurements should be given in millimetres.

SIGNED BY: _____ DATE: _____

VENETIAN ARCH LINTEL



CLIENT: _____

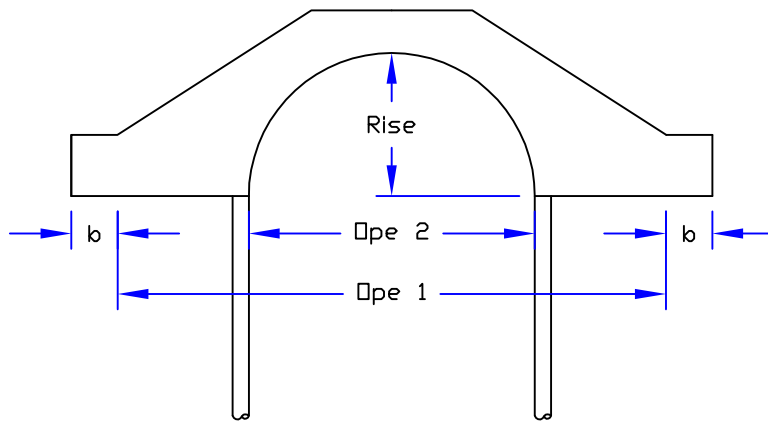
REF: _____

PHONE: _____

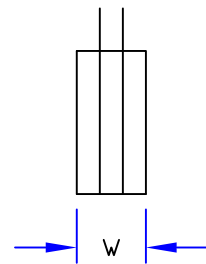
DATE: _____

Qty _____ off

ELEVATION



END VIEW



Ope 1 _____ Ope 2 _____ Rise _____ Width _____

QTY _____ OFF SUPPORT POSTS (50mm) HEIGHT _____

EXTERNAL LEAF _____ (Brick/Fairface or Block Rendered)

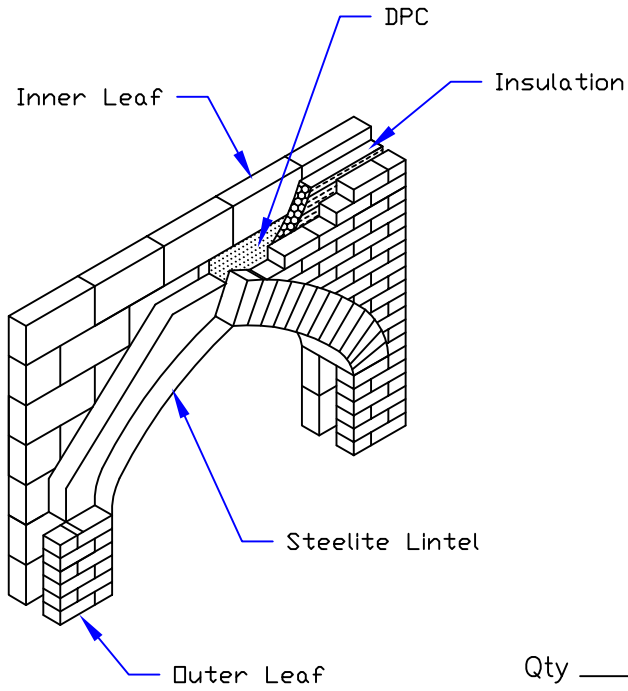
NOTE: All measurements should be taken from the face of the outer leaf.
All measurements should be given in millimetres.

SIGNED BY: _____ DATE: _____

GOTHIC ARCH LINTEL



STEELITE SPECIALS



CLIENT: _____

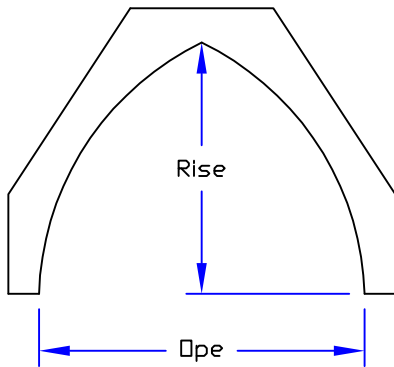
REF: _____

PHONE: _____

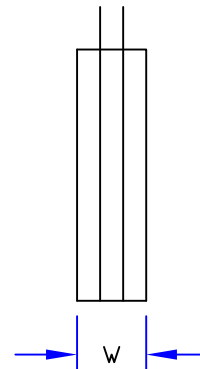
DATE: _____

Qty _____ off

ELEVATION



END VIEW



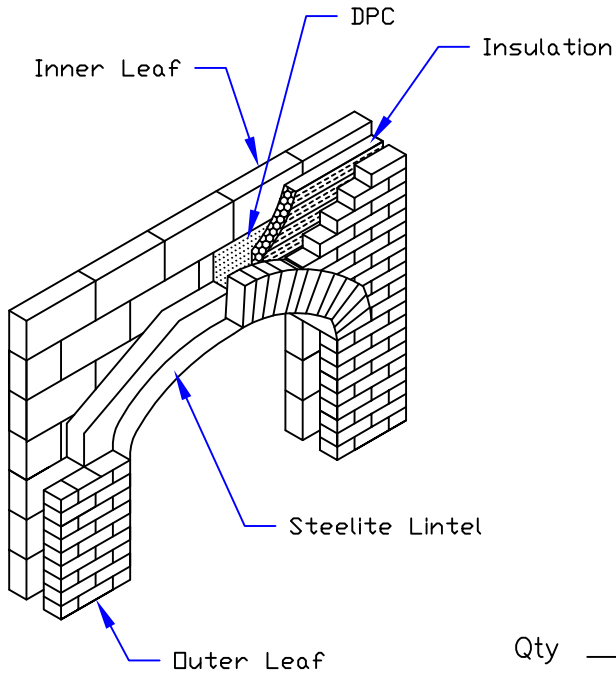
Ope _____ Rise _____ Width _____

EXTERNAL LEAF _____ (Brick/Fairface or Block Rendered)

NOTE: All measurements should be taken from the face of the outer leaf.
All measurements should be given in millimetres.

SIGNED BY: _____ DATE: _____

ELLIPTICAL ARCH LINTEL



CLIENT: _____

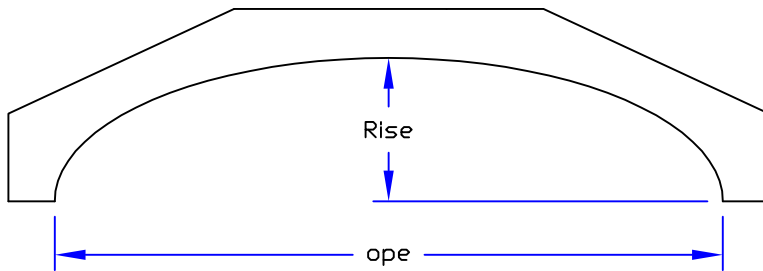
REF: _____

PHONE: _____

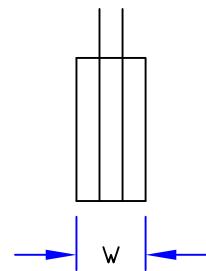
DATE: _____

Qty _____ off

ELEVATION



END VIEW



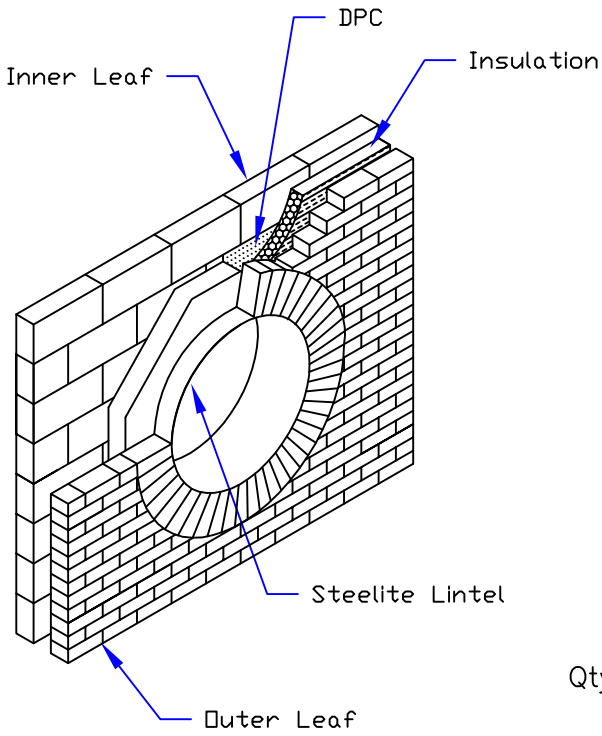
Ope _____ Rise _____ Width _____

EXTERNAL LEAF _____ (Brick/Fairface or Block Rendered)

NOTE: All measurements should be taken from the face of the outer leaf.
All measurements should be given in millimetres.

SIGNED BY: _____ DATE: _____

PORTHOLE LINTEL



CLIENT: _____

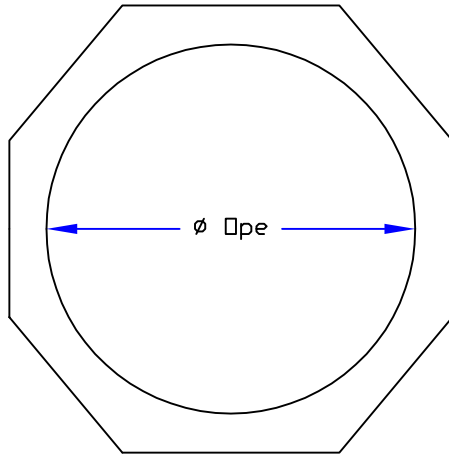
REF: _____

PHONE: _____

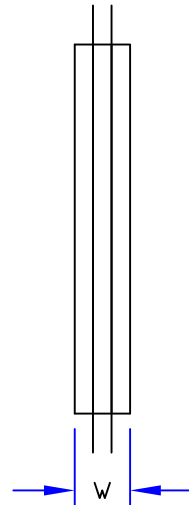
DATE: _____

Qty _____ off

ELEVATION



END VIEW



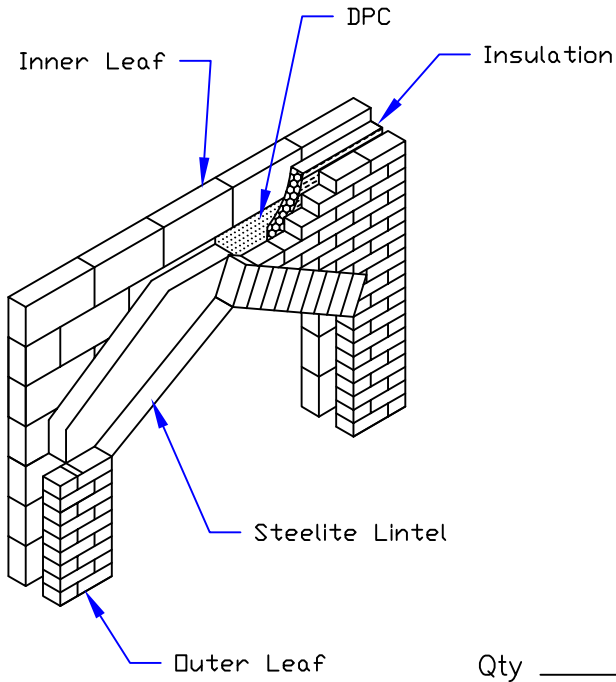
Ope _____

Width _____

EXTERNAL LEAF _____ (Brick/Fairface or Block Rendered)

NOTE: All measurements should be taken from the face of the outer leaf.
All measurements should be given in millimetres.

SIGNED BY: _____ DATE: _____



CLIENT: _____

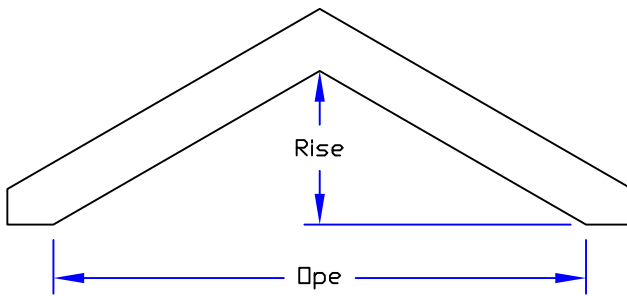
REF: _____

PHONE: _____

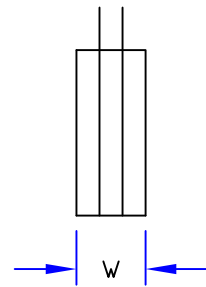
DATE: _____

Qty _____ off

ELEVATION



END VIEW



Ope _____ Rise _____ Width _____

EXTERNAL LEAF _____ (Brick/Fairface or Block Rendered)

NOTE: All measurements should be taken from the face of the outer leaf.
All measurements should be given in millimetres.

SIGNED BY: _____ DATE: _____

CONSERVATORY LINTEL



STEELITE SPECIALS

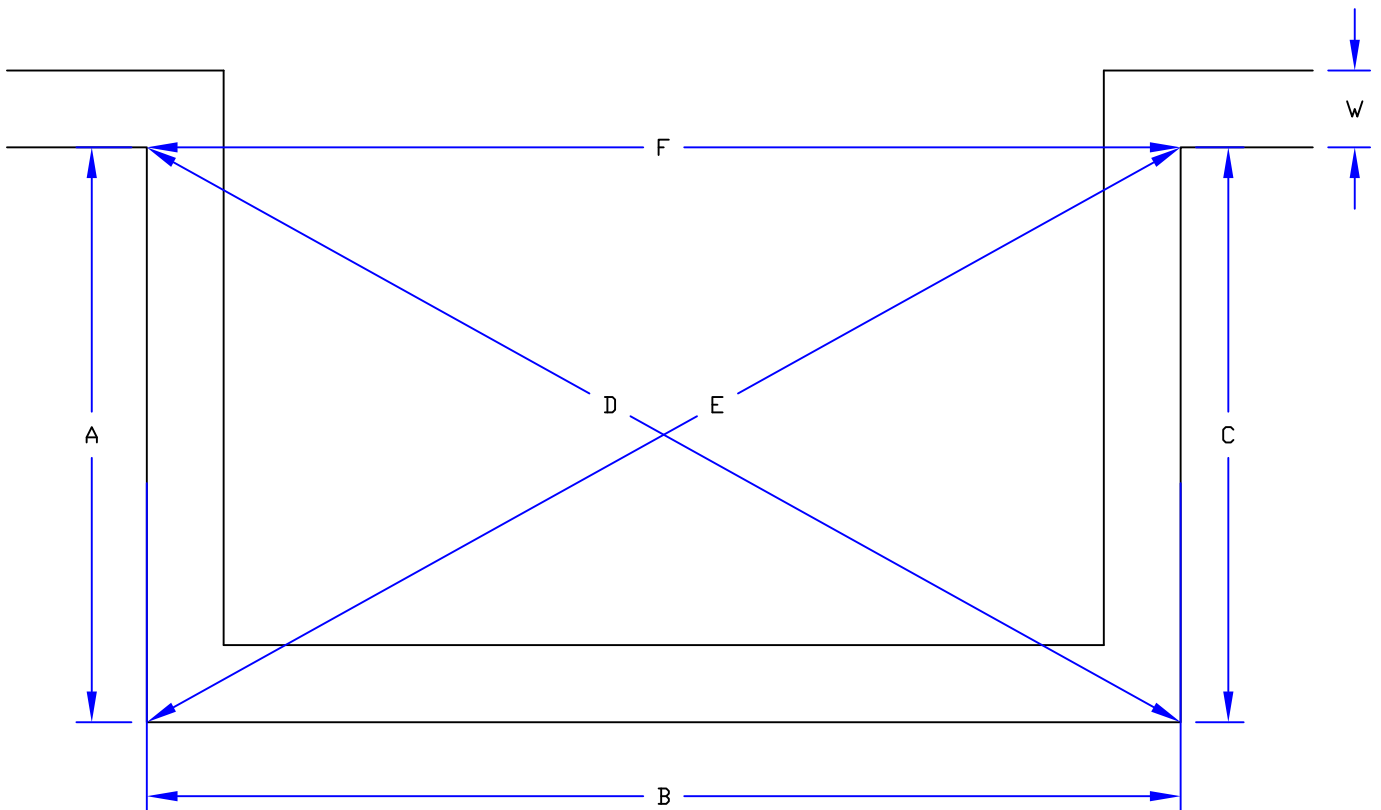
CLIENT: _____

REF: _____

PHONE: _____

DATE: _____

Qty _____ off



A _____ B _____ C _____ D _____

E _____ F _____ Width _____

Qty _____ off SUPPORT POSTS HEIGHT _____

EXTERNAL LEAF _____ (Brick/Fairface or Block Rendered)

NOTE: All measurements should be taken from the face of the outer leaf.
All measurements should be given in millimetres.

SIGNED BY: _____ DATE: _____

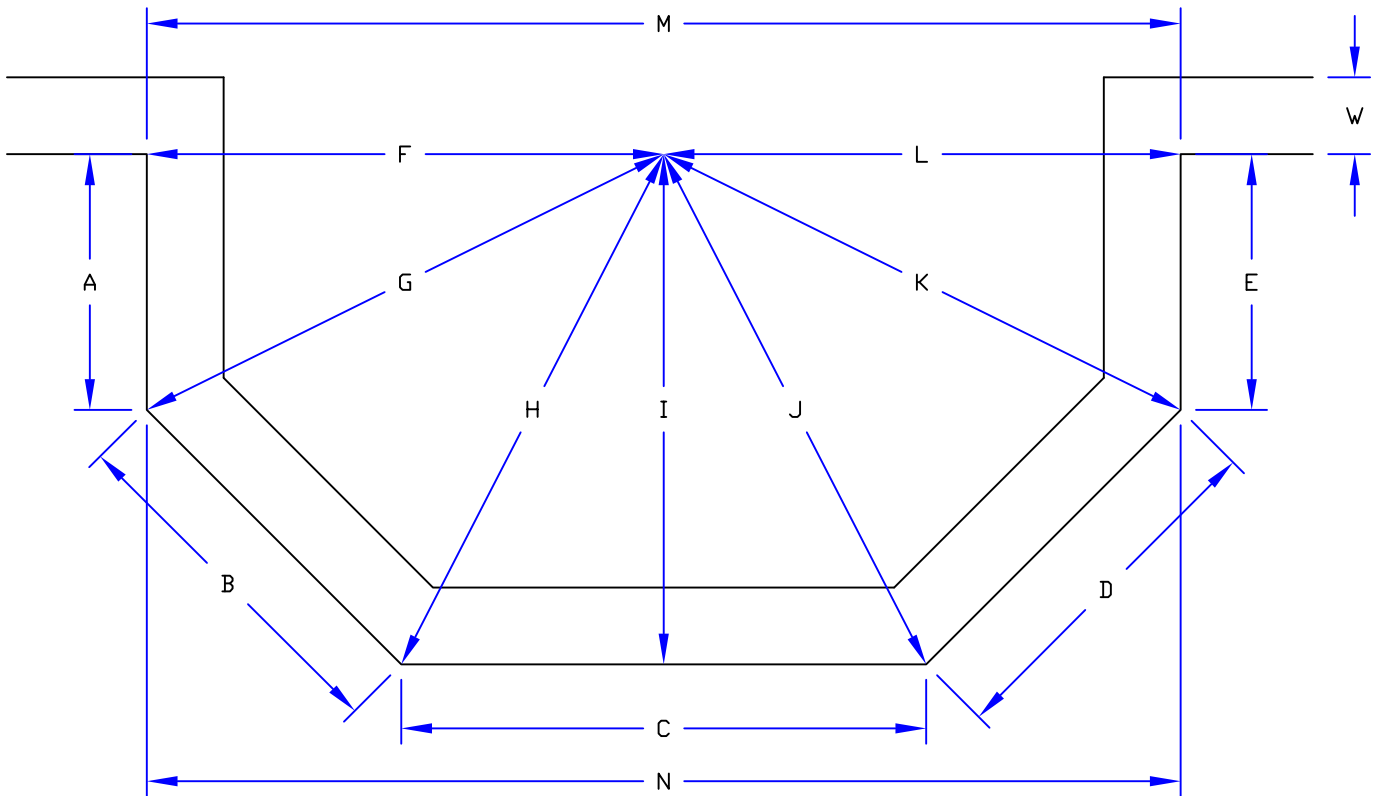
CLIENT: _____

Qty _____ off

REF: _____

PHONE: _____

DATE: _____



A _____ B _____ C _____ D _____ E _____

F _____ G _____ H _____ I _____ J _____

K _____ L _____ M _____ N _____ Width _____

Qty _____ off SUPPORT POSTS HEIGHT _____

EXTERNAL LEAF _____ (Brick/Fairface or Block Rendered)

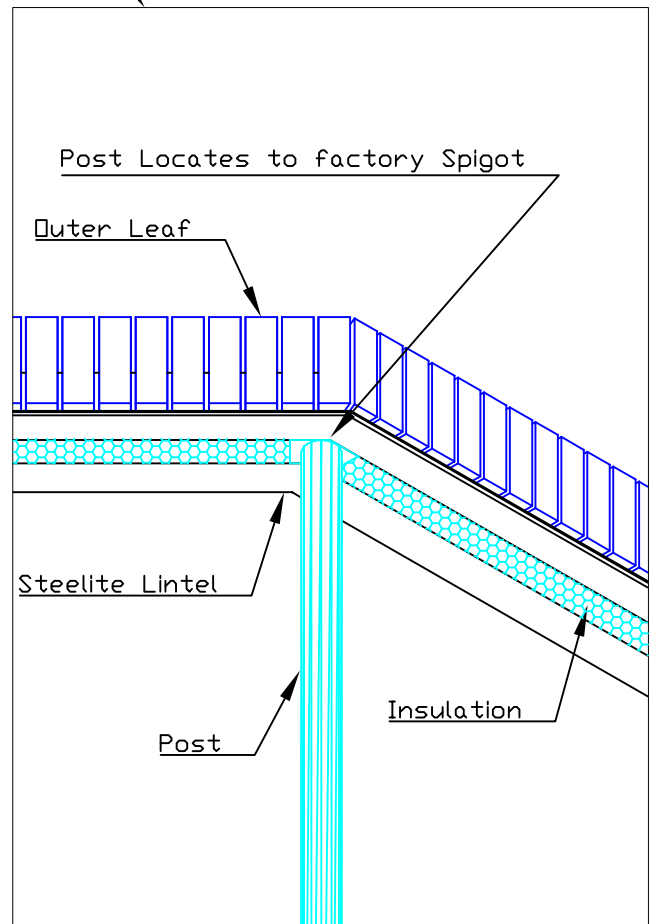
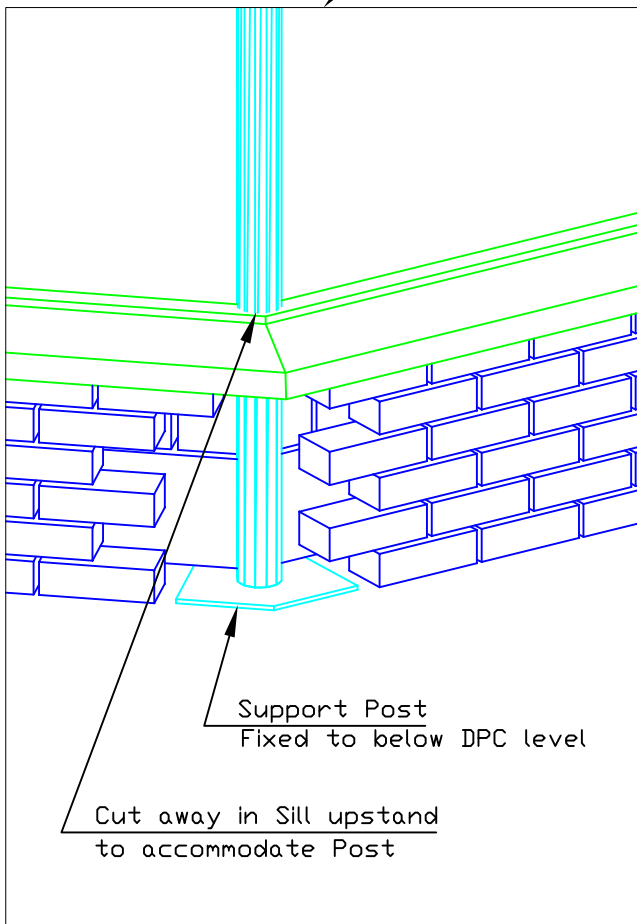
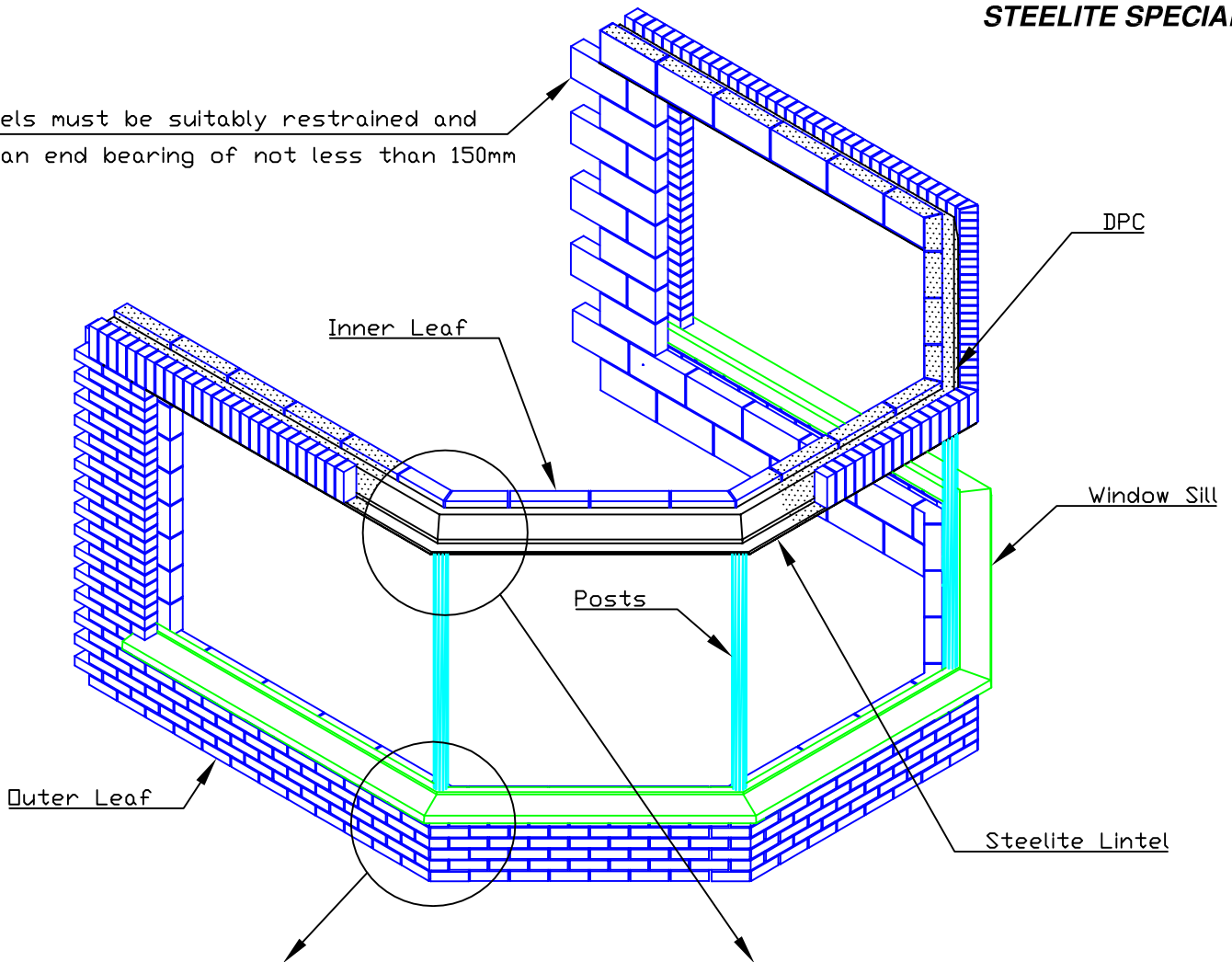
NOTE: All measurements should be taken from the face of the outer leaf.
All measurements should be given in millimetres.

SIGNED BY: _____ DATE: _____

CONSERVATORY LINTEL



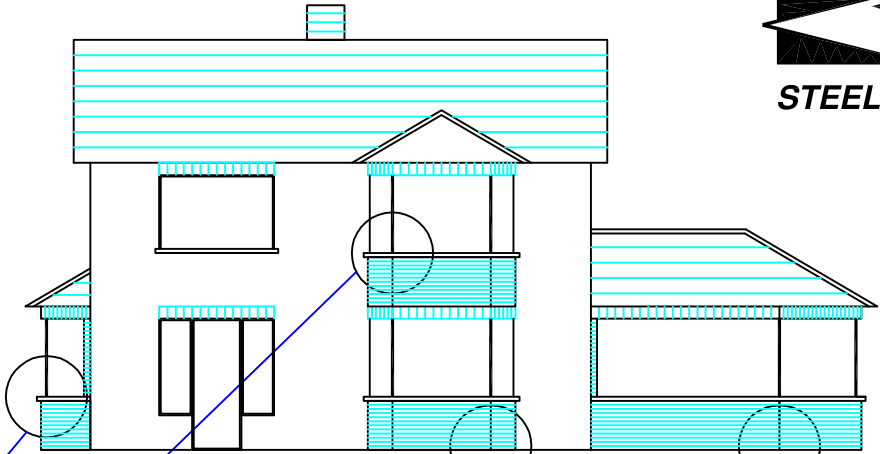
Lintels must be suitably restrained and have an end bearing of not less than 150mm





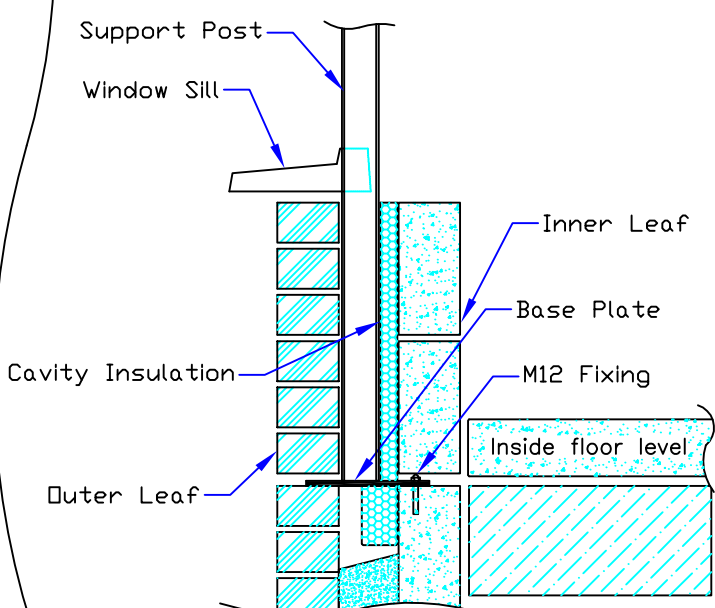
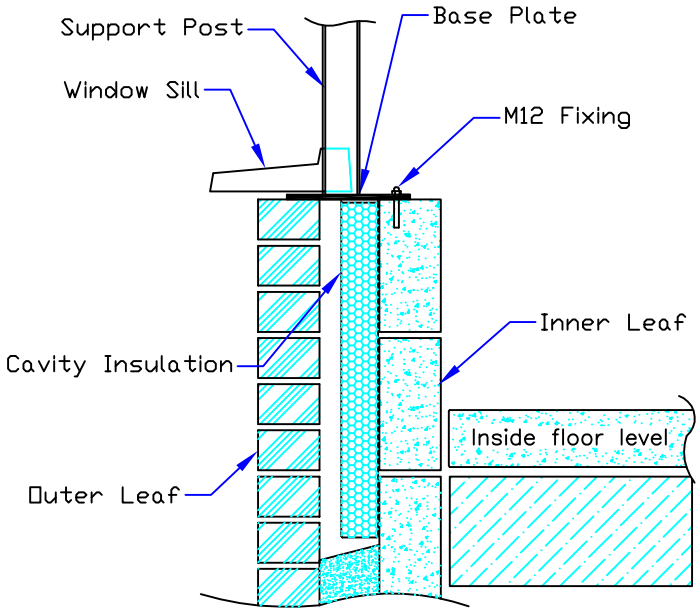
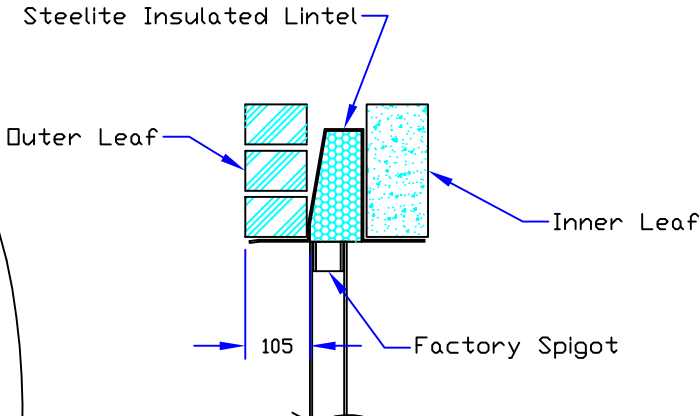
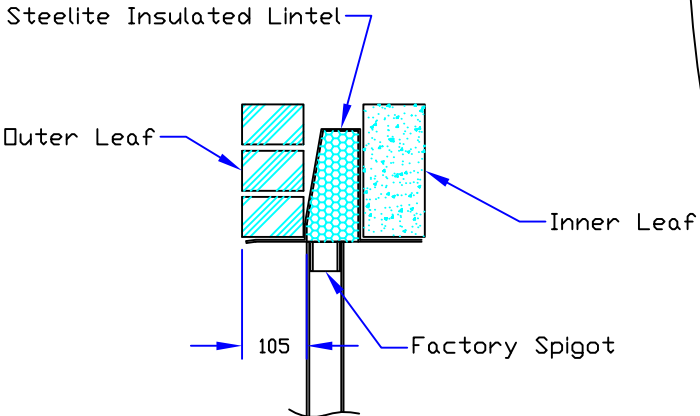
STEELITE SPECIALS

POST DETAILS



METHOD A

METHOD B



Post base taken to below Sill level

Post base taken to below DPC level

Support Posts available in 50, 70, 80, 90, 100, 120, 150mm SHS